

REPLACEMENT PARTS LIST

Notes : * Important safety notice:

Components identified by Δ mark have special characteristics important for safety. When replacing any of these components use only manufacturer's specified parts.

* The parenthesized indications in the Remarks columns specify the areas. (Refer to the cover page for area.) Parts without these indications can be used for all areas.

* Remote Control Ass'y:

Supply period for three years from termination of production.

Ref. No.	Part No.	Part Name & Description	Remarks	Ref. No.	Part No.	Part Name & Description	Remarks
		INTEGRATED CIRCUIT (S)		D906, 907	MA700TA	DIODE	
				D908	MA4047MTA	DIODE	
				D910	MA700ATA	DIODE	(GC)
IC101	LM7001	I. C, PLL FREQ. SYNTHESIZER		D911	MA4100MTA	DIODE	
IC201	AN7273W	I. C, FM/AM IF AMP. DET.		D912	MA165	DIODE	
IC301	SVIUPC1161C3	I. C, FM MPX		D915	MA165	DIODE	
IC901	MN187125STT	I. C, CONTROLLER		D920	MA165	DIODE	
		TRANSISTOR (S)		D920A	MA165	DIODE	
				D921	MA165	DIODE	
				D952	MA165	DIODE	
Q101, 102	2SC2785FE	TRANSISTOR				VARIABLE RESISTOR (S)	
Q201, 202	2SC2787L	TRANSISTOR					
Q204, 205	2SC3311A-Q	TRANSISTOR		VR301	EVNDXAA00B53	V. R, FM MPX VCO ADJ.	
Q207	2SC3311A-Q	TRANSISTOR		VR901	EVQHQ102224B	V. R, ROTARY ENCODER	
Q208, 209	2SA1309A-R	TRANSISTOR				COMPONENT COMBINATION (S)	
Q210	2SC3311A-Q	TRANSISTOR					
Q251	2SA1309A-R	TRANSISTOR		Z101	RAL0006	COMPONENT COMBINATION	
Q252-254	2SC3311A-Q	TRANSISTOR		Z202	RL122003M-T	COMPONENT COMBINATION	
Q255, 256	2SC2785FE	TRANSISTOR		Z251	RLA62002M-T	COMPONENT COMBINATION	
Q301, 302	2SC3311A-Q	TRANSISTOR		Z901	RCDO001-1	REMOTE SENSOR	
Q303	2SA1309A-R	TRANSISTOR				COIL (S)	
Q701	2SC3940AQSTA	TRANSISTOR					
Q702	2SC1685RSTTA	TRANSISTOR		L101	ELEXT1R0KA9	COIL	
Q704	2SC3311A-Q	TRANSISTOR		L110	ELEXT22MA9	COIL	
Q901	2SC3311A-Q	TRANSISTOR		L203, 204	ELESNR22MA	COIL	
Q902	DTC144EKT96	TRANSISTOR * Sec Tlx		L901	ELEXT101KA9	COIL	
Q903	DTC114ESTP	TRANSISTOR		L911	ELEXT1R0KA9	COIL	
Q904-906	2SC3311A-Q	TRANSISTOR		L914	ELEXT101KA9	COIL	
Q910	2SC3311A-Q	TRANSISTOR				TRANSFORMER (S)	
Q911	DTC144EKT96	TRANSISTOR					
		DIODE (S)		T201	RL14B002M-Z	TRANSFORMER	
				T202	RL14B003M-Z	TRANSFORMER	
D104	MA165	DIODE		T701	RFKCTX302LEK	POWER TRANSFORMER	Δ (E, EB, GN)
D201	MA165	DIODE		T701	RFKCTX302LGC	POWER TRANSFORMER	Δ (GC)
D204	MA165	DIODE				FILTER (S)	
D206	MA165	DIODE					
D210	MA165	DIODE		CF201, 202	RLFFETWNA01L	CERAMIC FILTER	
D302	MA165	DIODE				OSCILLATOR (S)	
D701, 702	1SR35200TB	DIODE	Δ				
D703	MA4150M	DIODE		X101	SVQ49U722-S	OSCILLATOR	
D704	MA4068L	DIODE					
D705	MA4240H	DIODE					
D710-713	MA165	DIODE	Δ				
D901	1SS291TA	DIODE					
D902	MA165	DIODE					

Ref. No.	Part No.	Part Name & Description	Remarks	Ref. No.	Part No.	Part Name & Description	Remarks
X901	EFOGC4194T4	OSCILLATOR		FC702	EYF52BC	FUSE HOLDER	
		DISPLAY		FC703	EYF52BC	FUSE HOLDER	(E, EB, GN)
FL901	RSL0099-F	DISPLAY		FC704	EYF52BC	FUSE HOLDER	(E, EB, GN)
		SWITCH(ES)				RELAY(S)	
S701	SSR187-1	SW, VOLTAGE SELECTOR	△ (GC)	RLY701	RSY0005M-1C	RELAY	△
S913	EVQ21405R	SW, MW				JACK(S)	
S914	EVQ21405R	SW, LW		JK101	RJH4202M	ANTENNA TERMINAL	(E, EB)
S915	EVQ21405R	SW, MEMORY		JK101	RJH4405-1M	ANTENNA TERMINAL	(GC, GN)
S916	EVQ21405R	SW, TUNING MODE		JK301	SJF3068-5N	OUTPUT	
S917	EVQ21405R	SW, MODE		JK701	SJS9236	AC INLET	△ (E, EB, GC)
S918	EVQ21405R	SW, UP		JK701	SJSD16	AC INLET	△ (GN)
S919	EVQ21405R	SW, DOWN		JK702	RJS1A4902-B	AC OUTLET	△ (E)
S920	EVQ21405R	SW, FM		JK702	RJS1A4802-B	AC OUTLET	△ (EB)
S921	EVQ21405R	SW, POWER		JK702	SJS9331B	AC OUTLET	△ (GC)
S922	EVQ21405R	SW, SLEEP		JK702	RJS1A8102	AC OUTLET	△ (GN)
S923	EVQ21405R	SW, CANCEL		JK704	RJJ33T01	M3 JACK (SYSTEM CONT. OUT)	
S924	EVQ21405R	SW, STANDBY		JK711	RJJ33TR01	M3 JACK (REMOTE OUT)	
S925	EVQ21405R	SW, READ				FUSE(S)	
S926	EVQ21405R	SW, CLOCK SET					
S927	EVQ21405R	SW, TIMER SET		F1	XBA2C04TBO	FUSE, 250V 0.4A	△
S928	EVQ21405R	SW, DOWN		F2	XBA2C25TBO	FUSE, 250V 2.5A	△ (E, EB, GN)
S929	EVQ21405R	SW, UP					
		CONNECTOR(S)					
CN701	SJT30643-V	CONNECTOR (6P)					
CN701A	RJS1A1703	SOCKET (3P)					
CN901A	RJU003K008M1	SOCKET (8P)					
CN902A	RJU003K008M1	SOCKET (8P)					
CN903A	RJU003K008M1	SOCKET (8P)					
CN904A	SJT30549BB1	CONNECTOR (5P)					
CN905A	SJT30549BB1	CONNECTOR (5P)					
CN906A	SJT30549BB1	CONNECTOR (5P)					
CN701B	RJS1A1703	CONNECTOR (3P)					
CN901B	RJT003K008M1	CONNECTOR (8P)					
CN902B	RJT003K008M1	CONNECTOR (8P)					
CN903B	RJT003K008M1	CONNECTOR (8P)					
CN904B	SJS50581BB	SOCKET (5P)					
CN905B	SJS50581BB	SOCKET (5P)					
CN906B	SJS50581BB	SOCKET (5P)					
		VARIABLE CAPACITOR(S)					
CT101	RCV10AF1T-S	VARIABLE CAPACITOR					
		FUSE HOLDER(S)					
FC701	EYF52BC	FUSE HOLDER					

PRINTED ON: 09-Jun-92 07:54

MSG PA 40192 1

TO : UKNPB

TITLE : BLD055 92/06/09 06:2

FROM : TELEX PRIMEX

DN: 09-Jun-92 07:28

ZCZC BLD055 92/06/09 06:268 S109358606091530

UKNPB

.JPSAHME GAH2204 EMS3042 92/06/09 15:30J UKA9371 92/06/09 15:28J

SUBJECT: RE: P/N DTC144EKT96/ARG482 JUN-08

ATT: MR. JON MORRIS/SPARES PUK

1) UR TLX NTD.

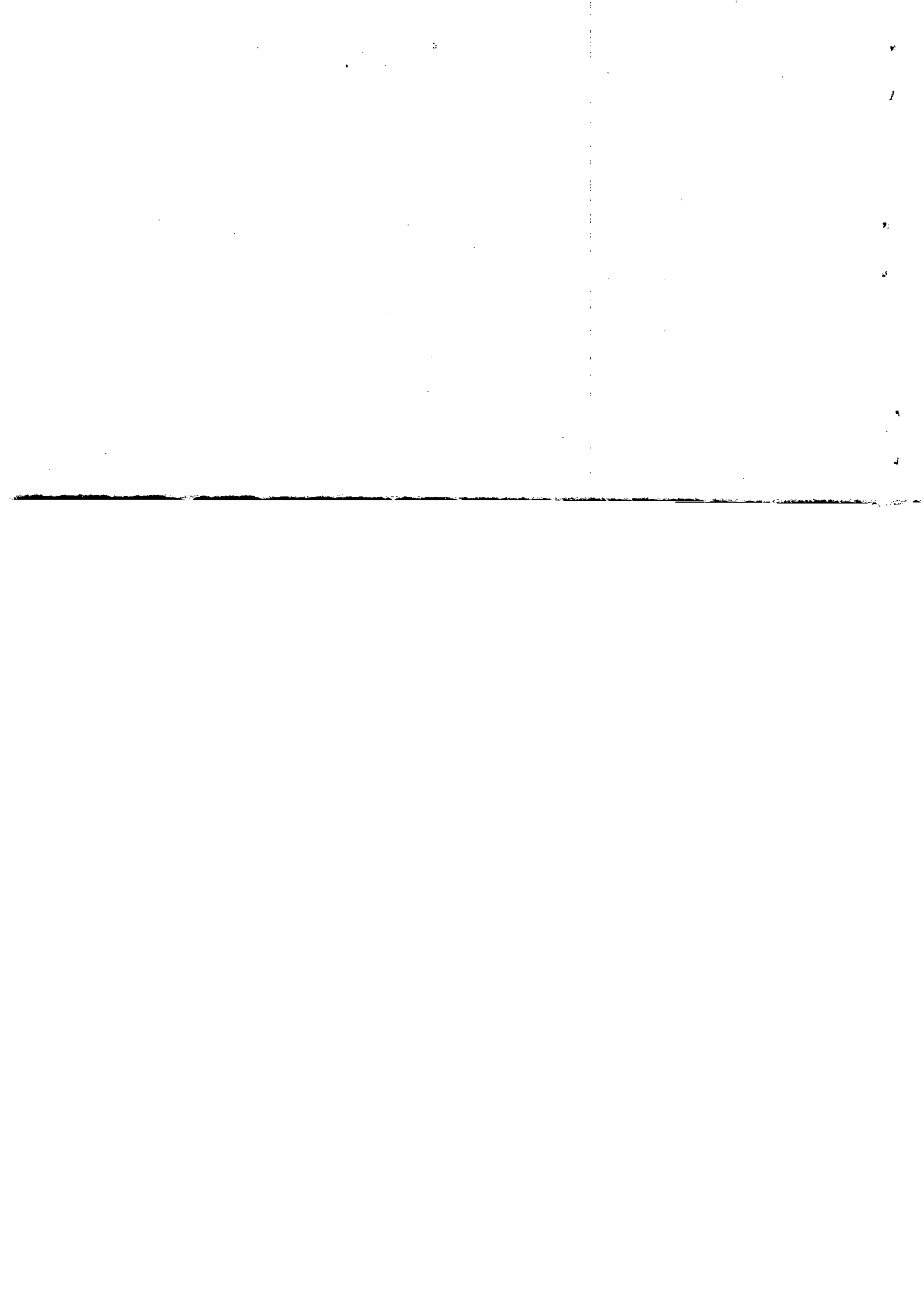
2) AFTER CHKNG FCTRY STOCK Y ENG/SECT, P/N DTC144EKT96 IS CHIP TYPE
TRANSISTOR (SURFACE MOUNT).

PS : STANDARD MOUNT TYPE P/N IS DTC144ES, DTC144WSTP --ETC.

B. RGOS

ROTAGAWA/AD-PRT SECT

NNNN

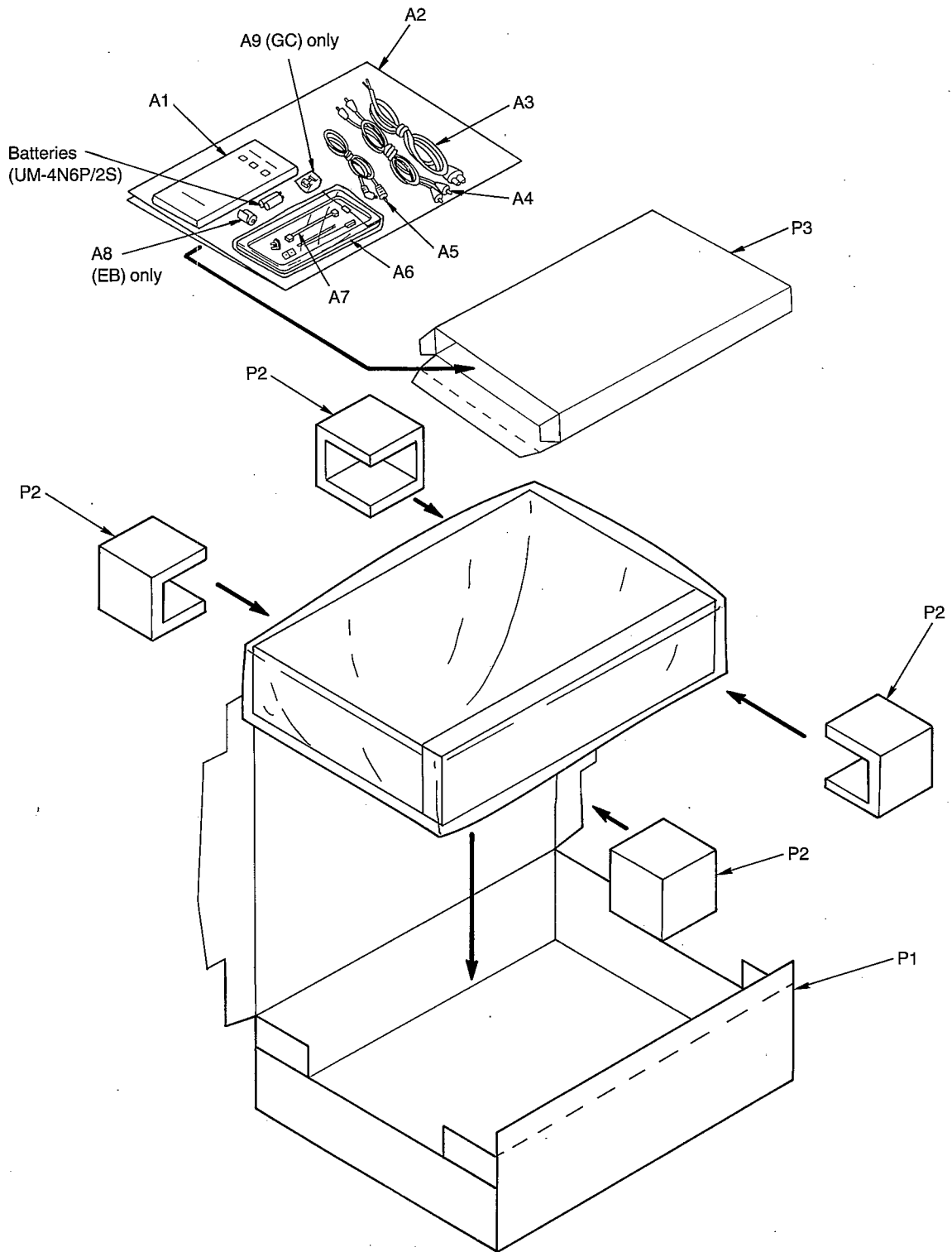


Notes : * Capacity value are in microfarads (uF) unless specified otherwise, P=Pico-farads (pF) F=Farads (F)
 * Resistance values are in ohms, unless specified otherwise, 1K=1,000 (OHM) , 1M=1,000k(OHM)

Ref. No.	Part No.	Values & Remarks	Ref. No.	Part No.	Values & Remarks	Ref. No.	Part No.	Values & Remarks
		RESISTORS						
R102, 103	ERDS2TJ103	1/4W 10K	R305, 306	ERDS2TJ332	1/4W 3.3K	R975	ERDS2TJ473	1/4W 47K
R104	ERDS2TJ102	1/4W 1K	R307, 308	ERDS2TJ104	1/4W 100K	R976	ERDS2TJ103	1/4W 10K
R105	ERDS2TJ561	1/4W 560	R309	ERDS2TJ474	1/4W 470K	R978	ERDS2TJ102	1/4W 1K
R106	ERDS2TJ562	1/4W 5.6K	R311	ERDS2TJ102	1/4W 1K	R980, 981	ERDS2TJ2R2T	1/4W 2.2
R107	ERDS2TJ103	1/4W 10K	R312	ERDS2TJ153	1/4W 15K	R982	ERDS2TJ223	1/4W 22K
R108	ERDS2TJ391	1/4W 390	R313, 314	ERDS2TJ473	1/4W 47K	R984	ERDS2TJ471	1/4W 470
R135	ERDS2TJ102	1/4W 1K	R315	ERDS2TJ103	1/4W 10K	R990	ERDS2TJ104	1/4W 100K
R201	ERDS2TJ272T	1/4W 2.7K	R316	ERDS2TJ102	1/4W 1K	R991	ERDS2TJ122	1/4W 1.2K
R202	ERDS2TJ824	1/4W 820K	R317	ERDS2TJ473	1/4W 47K	R993	ERDS2TJ103	1/4W 10K
R203	ERDS2TJ331	1/4W 330	R319	ERDS2TJ103	1/4W 10K	R994	ERDS2TJ102	1/4W 1K
R204	ERDS2TJ474	1/4W 470K	R320	ERDS2TJ273	1/4W 27K			CAPACITORS
R205	ERDS2TJ331	1/4W 330	R702	ERDS2TJ102	1/4W 1K	C101	ECBT1H8R2KC5	50V 8.2P
R206	ERDS2TJ561	1/4W 560	R703	ERDS2TJ331	1/4W 330	C102	ECBT1H150JC5	50V 15P
R207	ERDS2TJ822	1/4W 8.2K	R704	ERDS2TJ222	1/4W 2.2K	C103	ECBT1H102KB5	50V 1000P
R208	ERDS2TJ102	1/4W 1K	R705	ERDS2TJ221	1/4W 220	C105	ECEA0JKA101B	6.3V 100U
R209	ERDS2TJ471	1/4W 470	R710	ERDS2TJ152	1/4W 1.5K	C106, 107	ECBT1C103NS5	16V 0.01U
R210	ERDS2TJ332	1/4W 3.3K	R711	ERDS2TJ100	1/4W 10	C108	ECEA25M4R7R	25V 4.7U
R211	ERDS2TJ222	1/4W 2.2K	R715	ERDS2TJ101	1/4W 100	C109	ECEA1CKA330B	16V 33U
R214	ERDS2TJ103	1/4W 10K	R716	ERDS2TJ151	1/4W 150	C121	ECBT1H102KB5	50V 1000P
R218	ERDS2TJ391	1/4W 390	R902, 903	ERDS2TJ100	1/4W 10	C135	ECBT1H101KB5	50V 100P
R219	ERDS2TJ472	1/4W 4.7K	R904	ERDS2TJ223	1/4W 22K	C201, 202	ECBT1C103NS5	16V 0.01U
R220	ERDS2TJ103	1/4W 10K	R905	ERDS2TJ100	1/4W 10	C203	ECBT1H8R2KC5	50V 8.2P
R221	ERDS2TJ104	1/4W 100K	R906	ERDS2TJ393	1/4W 39K	C204	ECBT1H102KB5	50V 1000P
R222	ERDS2TJ473	1/4W 47K	R907	ERDS2TJ223	1/4W 22K	C205	ECKT1H223ZF	50V 0.022U
R224	ERDS2TJ472	1/4W 4.7K	R908	ERDS2TJ100	1/4W 10	C206	ECBT1H150JC5	50V 15P
R227	ERDS2TJ104	1/4W 100K	R909	ERDS2TJ393	1/4W 39K	C208	ECEA0JKA101B	6.3V 100U
R230	ERDS2TJ104	1/4W 100K	R911	ERDS2TJ562	1/4W 5.6K	C209	ECEA1EKA4R7B	25V 4.7U
R231	ERDS2TJ102	1/4W 1K	R912	ERDS2TJ103	1/4W 10K	C210, 211	ECKT1H223ZF	50V 0.022U
R232	ERDS2TJ122	1/4W 1.2K	R913	ERDS2TJ104	1/4W 100K	C212	ECBT1E223ZF	25V 0.022U
R233	ERDS2TJ684	1/4W 680K	R915, 916	ERDS2TJ101	1/4W 100	C213	ECBT1H101KB5	50V 100P
R234	ERDS2TJ103	1/4W 10K	R919	ERDS2TJ103	1/4W 10K	C214	ECEA1CKA100B	16V 10U
R237	ERDS2TJ151	1/4W 150	R920	ERDS2TJ102	1/4W 1K	C215	ECBT1C103NS5	16V 0.01U
R247	ERDS2TJ103	1/4W 10K	R921	ERDS2TJ103	1/4W 10K	C217	ECEA1HKA010B	50V 1U
R251	ERDS2TJ103	1/4W 10K	R922	ERDS2TJ104	1/4W 100K	C218	ECFR1E473KR	25V 0.047U
R252	ERDS2TJ822	1/4W 8.2K	R923-926	ERDS2TJ393	1/4W 39K	C220	ECEA1CKA100B	16V 10U
R253	ERDS2TJ182	1/4W 1.8K	R927	ERDS2TJ104	1/4W 100K	C222	ECFR1E473KR	25V 0.047U
R254	ERDS2TJ223	1/4W 22K	R929	ERDS2TJ102	1/4W 1K	C225	ECBT1H180JC5	50V 18P
R256	ERDS2TJ102	1/4W 1K	R937	ERDS2TJ392T	1/4W 3.9K	C226	ECBT1C103NS5	16V 0.01U
R258, 259	ERDS2TJ122	1/4W 1.2K	R938	ERDS2TJ562	1/4W 5.6K	C227	ECEA1CKA100B	16V 10U
R261	ERDS2TJ102	1/4W 1K	R939	ERDS2TJ123	1/4W 12K	C228	ECFR1E153KR	25V 0.015U
R262	ERDS2TJ332	1/4W 3.3K	R940	ERDS2TJ182	1/4W 1.8K	C230	ECBT1C103NS5	16V 0.01U
R263	ERDS2TJ153	1/4W 15K	R941	ERDS2TJ222	1/4W 2.2K	C251	ECBT1E223ZF	25V 0.022U
R264	ERDS2TJ102	1/4W 1K	R942	ERDS2TJ273	1/4W 27K	C252	ECEA1HKA010B	50V 1U
R301	ERDS2TJ393	1/4W 39K	R957-959	ERDS2TJ222	1/4W 2.2K	C253	ECBT1E223ZF	25V 0.022U
R302	ERDS2TJ151	1/4W 150	R960, 961	ERDS2TJ104	1/4W 100K	C301	ECEA1CKA101B	16V 100U
R303, 304	ERDS2TJ223	1/4W 22K	R962	ERDS2TJ682T	1/4W 6.8K	C302	ECEA1HKAR47B	50V 0.47U
			R967, 968	ERDS2TJ104	1/4W 100K	C303	ECEA1HKA010B	50V 1U
			R970	ERDS2TJ562	1/4W 5.6K			
			R973	ERDS2TJ223	1/4W 22K			

Ref. No.	Part No.	Values & Remarks						
C304-306	ECEA1HKA3R3B	50V 3.3U						
C307, 308	ECFR1E153KR	25V 0.015U						
C310	ECFR1E473KR	25V 0.047U						
C311	ECQP1471JZ	50V 470P						
C313, 314	ECBT1H181KB5	50V 180P						
C701	ECA1CM222B	16V 2200P						
C701A Δ	ECKWNS103ZVS	500V 0.01U						
C702	ECA1CM102B	16V 1000P						
C704	ECKR1H103ZF5	50V 0.01U						
C705	ECA1CM221B	16V 220P						
C706	ECEA1CKA100B	16V 10U						
C707, 708	ECKR1H103ZF5	50V 0.01U						
C710	ECKR2H102ZF5	500V 1000P						
C711	ECKR1H103ZF5	50V 0.01U						
C716	ECEA1VKA330B	35V 33U						
C717	ECKR2H102ZF5	500V 1000P						
C718	ECKR1H103ZF5	50V 0.01U						
C719	ECA1EM101B	25V 100U						
C720	ECKR1H103ZF5	50V 0.01U						
C725	ECKR1H103ZF5	50V 0.01U						
C731	ECEA1HKA330Q	50V 33U						
C732	ECKR1H103ZF5	50V 0.01U						
C901	ECBT1H104ZF5	50V 0.1U						
C902, 903	ECEA0JU102	6.3V 1000U						
C905	ECBT1C103NS5	16V 0.01U						
C908, 909	ECEA1VKA330B	35V 33U						
C921	ECEA1HKA2R2B	50V 2.2U						
C925	ECBT1H102KB5	50V 1000P						
C927	ECBT1C103NS5	16V 0.01U						
C930	ECBT1H181KB5	50V 180P						
C933	ECEA1AKA330B	10V 33U						

PACKING



1494